

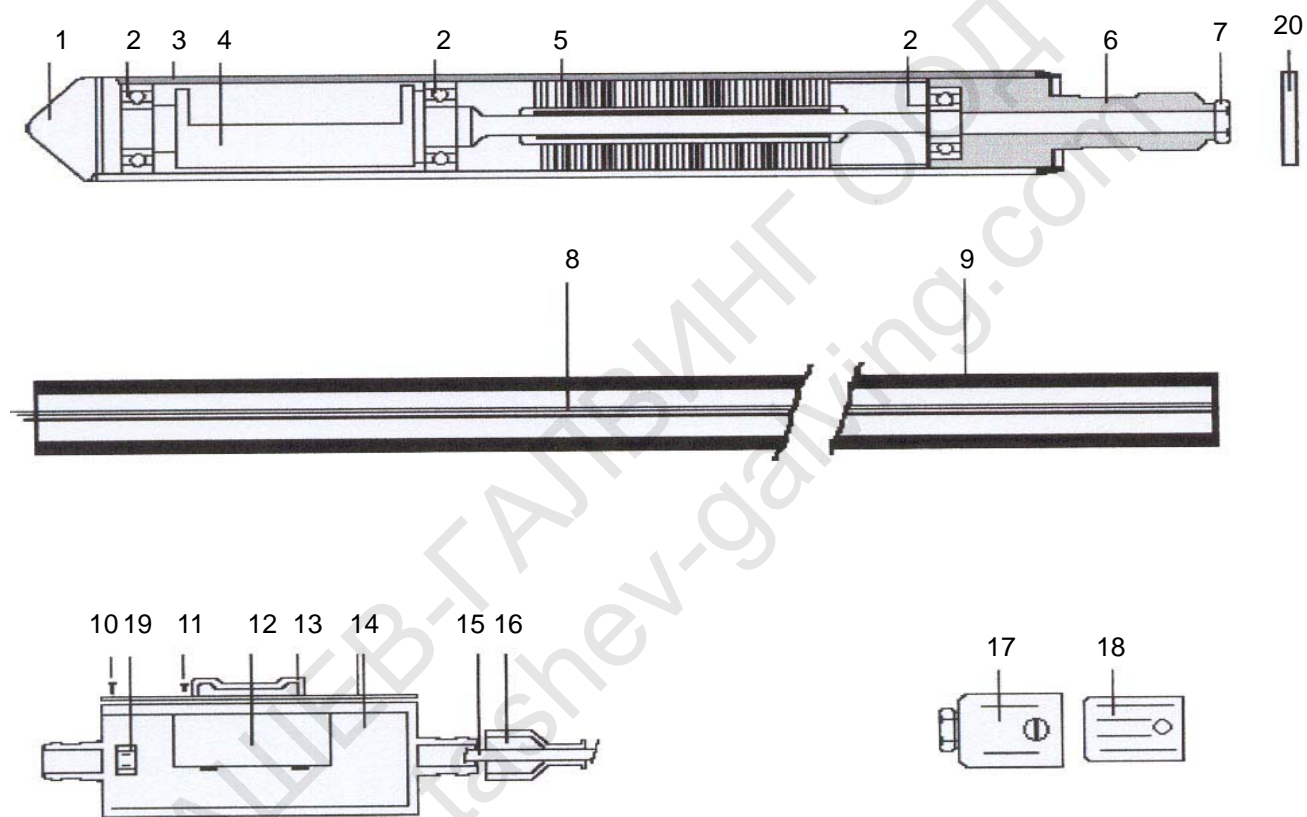


TR 50

Vibratore elettronico

Electronic vibrator

Vibreur electronique





N.	Codice - Code - Code	Descrizione	Description	Designation
1	V 35 . 101	PUNTALE	PUSH ROD	BOU
2	V 35 . 102	CUSCINETTO	BEARING	ROULEMENT
3	V 35 . 103	TUBO	HOSE	TUYAU
4	V 35 . 104	ROTORE COMPLETO TR 50	ARMATURE S.A. TR 50 / 230 V	ENSAMBLE INDUIT TR 507 / 230 V
5	V 65 . 110	STATORE TR 50 / 230 V	FIEL TR 50 / 230 V	STATOR TR 50 / 230 V
6	V 35 . 106	SUPPORTO FILETTATO	THREADED SUPPORT	RACCORD INTERIEUR
7	V 35 . 107	PRESSACAVO	CORD CLAMP	COLLIER
8	V 60 . 118	CAVO 3+1 x 2,5 mm. x 4 mt.	ELECTRIC CABLE	CABLE
9	V 35 . 109	TUBO GOMMA 4 mt.	RUBBER HOSE 4 mt.	TUYAU EN CAOUTCHOUC 4 mt.
10	V 30 . 110	VITE PULSANTIERA	SCREW	VIS
11	V 10 . 125	VITE INTERRUTTORE	SCREW	VIS
12	V 30 . 112	INTERRUTTORE	SWITCH	INTERRUPTEUR
13	V 30 . 113	GUAINA	SLEEVE	GAINE
14	V 30 . 114	PULSANTIERA	PUSH-BOTTON BOX	BOITE POUR INTERRUPTEUR
15	V 60 . 122	CAVO 3+1 x 2,5 mm. x 2 mt.	ELECTRIC CABLE	CABLE
16	V 30 . 116	MANICOTTO	CORD PROTECTOR	MANCHON
17	V 60 . 107	CUSTODIA MOBILE DRITTA	MOVING PLUG BOX	BOITE DE EPINE MOUVABLE
18	V 60 . 105	FRUTTO SPINA	INTERIOR PLUG	EPINE INTERIEUR
19	V 30 . 122	FERMACAVO	CORD CLAMP FOR CABLE	COLLIER POUR CABLE
20	V 30 . 123	FASCETTA 38/9,5 mm	CORD CLAMP	COLLIER
...	V 65 . 101	BOTTIGLIA TR 50 / 230 V	VIBRATOR PUSH ROD TR 50 S.A.	ENSAMB. BOUT VIBREUR TR 50